

USER MANUAL



8201 Eastpoint Dr.
Dallas, TX 75227
www.wiselift.com

Item # WL120

CONTENTS

I.	SAFETY AND PRECAUTIONS	4
II.	WHAT'S INCLUDED	5
III.	YOUR WISELIFT CHAIR	6
IV.	ASSEMBLY/DISASSEMBLY	7
V.	OPERATION	9
VI.	BASIC TROUBLE SHOOTING	10
VII.	CLEAN AND CARE.....	11
VIII.	WARRANTY.....	13
VIII.	NOTES.....	14

SAFETY AND PRECAUTIONS

The product you have purchased combines state-of-the-art components with safety, comfort, and styling. Read and follow all instructions, warnings, and notes in this manual and all other accompanying literature before attempting to operate this product for the first time. If there is any information in this manual which you do not understand, or if you require additional assistance for setup or operation, please Contact a WiseLift representative at 1-877-782-2010. Failure to follow the instructions, warnings, and notes in this manual and those located on your product can result in personal injury or product damage and will void the product warranty.

NO MODIFICATIONS

Your chair has been designed and engineered to provide comfort and functionality. However, under no circumstances should you modify, add, remove, or disable any feature, part, or function of your Lift Chair. Use WiseLift parts only for all repairs and replacements.

ELECTROMAGNETIC AND RADIO FREQUENCY INTERFERENCE (EMI/RFI)

Be aware that cell phones, two-way radios, laptops, and other types of radio transmitters may cause unintended movement of your electrically powered device due to EMI. Exercise caution when using any of these items while operating your lift chair. Per EMC standards, this Lift-Chair is suitable for use in all establishments, including domestic establishments and those directly connected to the public low-voltage power supply network that supplies buildings used for domestic purposes. Your lift chair itself can disturb the performance of other electrical devices located nearby, such as alarm systems.

WEIGHT LIMITATIONS

Your lift chair is rated for a maximum weight capacity of 350 lbs. Stay within the specified weight capacity of your lift chair. WiseLift will not be held responsible for injuries and/or product damage resulting from failure to observe weight limitations.

PINCH/CRUSH POINT HAZARDS

Do not place objects or appendages in the path of moving parts. The scissor and lift mechanisms are labeled as pinch/crush point hazards on your lift chair. Keep clear of these areas and make sure the path of motion is unobstructed. Keep the following items and similar objects clear of any Pinch/Crush points:

- Appendages
- Children
- Pets
- Wire/Tubes (ex. oxygen tubing)
- Loose items, including but not limited to clothing and blankets

- Electrical power cords

Storage and Operation Temperatures

- Transportation or storage: -104°F/-75°C to 158°F/70°C
- Operation: 50°F/10°C to 104°F/40°C

Purchaser agreement

By accepting delivery of this product, you promise that you will not change, alter, or modify this product or remove or render inoperable or unsafe any guards, shields, or other safety features of this product; fail, refuse, or neglect to install any retrofit kits from time to time provided by WiseLift to enhance or preserve the safe use of this product.

NOTE: If you ever lose or misplace your copy of this manual, contact us and we will be glad to send you a new one immediately. You can also go to www.wiselift.com to download our user manual.

WHAT'S INCLUDED

Please check that all the following items are accounted for.

- WiseLift Chair - WL120

REMOVABLE / WASHABLE ACCESSORIES

- Head / Lumbar Pillow Cover (1)
- Absorbent Seat Protector (1)



YOUR WISELIFT CHAIR

This section describes the features of your lift chair. Carefully review the function and location of each item described, and note that the illustrations and option locations shown in this manual may not reflect the exact model of lift chair that you own.

The WiseLift Chair must be placed at least 8" from the wall. Failure to do so may potentially cause damage to the wall and to the chair. It will also void the chair's warranty.

Your WiseLift chair operates on standard household current and can be plugged into any standard 110-volt wall outlet. Use a surge protector with this chair.

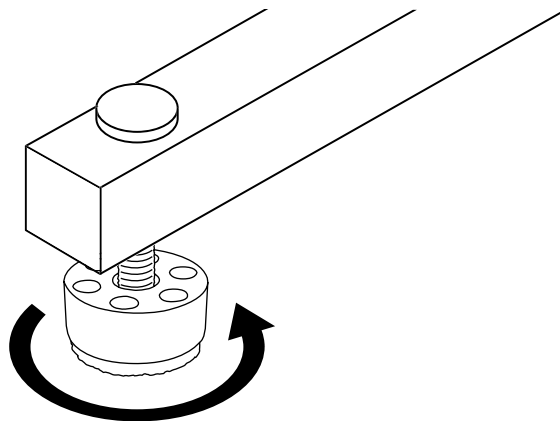
LIFT CHAIR PLACEMENT

Your lift chair should be placed near a standard electrical outlet on dry, level ground where there is ample room to allow for proper operation. WiseLift recommends that you have the assistance of an attendant when positioning the lift chair to avoid the possibility of injury when lifting.

Follow these steps to position the lift chair in a safe manner:

1. Place the lift chair at least 8 in from the nearest obstruction.
2. Screw on the provided feet stabilizers to the base of the chair. (fig. 1)
3. Position the external transformer on the floor in an open, well-ventilated area where it will not be an obstruction.
4. Connect the low voltage connection cable to the external transformer if it is not already connected.
5. Plug the power cord into a surge protector and then into an electrical outlet. Do not use an extension cord!
6. Position the low voltage connection cable where it will not be pinched between the frame and the lift mechanism.

Figure 1



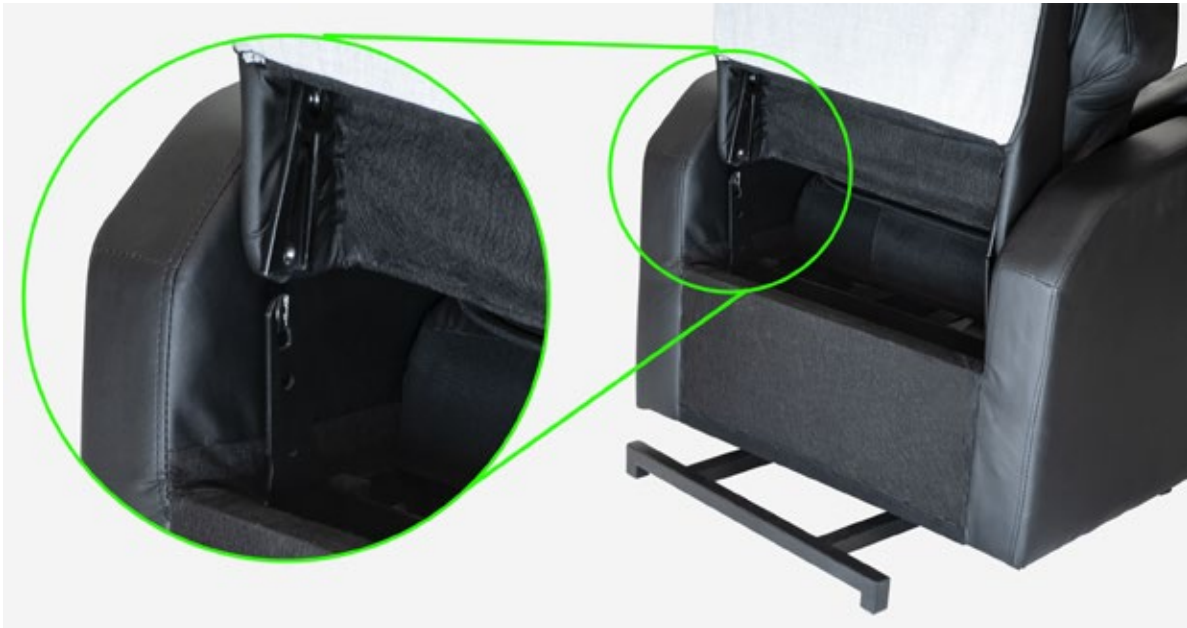
ASSEMBLY

NOTE: If you discover a problem at any point during the setup and positioning of your lift chair, stop and contact a WiseLift representative at 1-877-782-2010. To avoid personal injury and/or product damage, do not plug the unit into the electrical outlet until the problem is corrected and do not attempt to fix electrical problems by yourself.

Your lift chair will require some assembly before initial use. It may also require disassembly to make servicing the chair more convenient.

The WiseLift Chair will be shipped to you in 2 peices, the chair seat (Chair base) and the chair back. The chair base will also have the remote control and power supply connected to it. To assemble the WiseLift Chair, follow these instructions:

1. Locate the mounting brackets on the back of the chair base.
2. Positions the base so the fasteners on either side of the chair back line up over the mounting brackets on the back of the chair seat.



3. Slide the chair back onto the brackets. Next, firmly push the back onto the brackets, you may hear a *click* sound as the metal tabs lock into place.
4. Ensure that the chair back is locked into place and securely attached to the chair base.

5. Ensure that the power supply cable is properly attached to the base connector. It will come pre-connected.
6. Check to see if the chair is stable in its final location. If your chair is unstable, twist the adjustable feet to raise or lower the corners of the chair into a level position.





OPERATION

There are certain precautions that should be taken during the operation of your lift chair. Read and follow these precautions carefully in order to ensure safe lift chair operation and to prevent injury and/or product damage.

- Plug the power cord directly into a surge protector, then into the wall outlet. Do not use an extension cord!
- Do not place anything (for example, a drinking glass) on top of or near the external transformer.
- If the external transformer box or remote ever requires cleaning, unplug the power cord from the electrical outlet and use a clean, dry cloth
- Periodically check all cords for visible damage.
- Keep children and pets away from all moving parts while operating the lift chair.
- Do not allow children to play on or operate the lift chair. Only the intended user should operate the lift chair.

- Avoid pinch points, such as the lift and scissor mechanisms. Keep hands and feet clear of these areas.
- Do not leave the seat in the lifted position to prevent object from getting behind the mechanism
- Do not stand on the chair
- Do not “drop” into the lift chair when sitting if it is in a partially raised position.

BASIC TROUBLESHOOTING

Your lift chair may require occasional troubleshooting. The following troubleshooting tips and FAQs should summarize what you need to know about your lift chair. If at any time you do not feel comfortable performing the troubleshooting steps listed in this manual, contact a WiseLift representative at 1-877-782-2010. Please have the model number, and nature of the problem when calling.

FREQUENTLY ASKED QUESTIONS

What if my lift chair does not operate at all?

- Ensure the external transformer is plugged into a surge protector.
- Check the circuit breaker box connected to the electrical outlet to ensure the outlet is receiving power.
- Ensure that all cables are connected properly.

What if my lift chair stops during a lifting cycle?

- Your lift chair is equipped with an internal thermal shutoff switch located inside the external transformer that prevents the motor control box from overheating. If the thermal shutoff activates, allow the lift chair to remain in a stationary position for 10 minutes to allow the motor to cool, then resume normal operation. If you notice the motors overheating frequently, contact a WiseLift representative at 1-877-782-2010.
- Check the circuit breaker box connected to the electrical outlet to ensure the outlet is receiving power.

Where can I place the external power box?

- On the floor away from heat sources in an open, well-ventilated area where it will not be an obstruction.
- On the wall away from heat sources utilizing the optional external transformer wall mount.

Who do I call for service?

- Contact a WiseLift representative at 1-877-782-2010

Please find us on YouTube to learn more about your chair and how to operate it.

CLEAN AND CARE

Your lift chair will require routine maintenance checks. You can perform some of these checks, but others may require assistance from an authorized provider. By following the maintenance checks in this section as scheduled, you can help ensure your lift chair gives you years of trouble-free operation. If you have any questions regarding your lift chair's care, contact your authorized provider.

ENDURALUX™ FABRIC CARE (Refer to Care Instructions card included in the box)

- Unplug the chair during cleaning
- Vacuum regularly with an upholstery attachment
- Use a gentle detergent to remove stains (test detergent in an inconspicuous place)
- Use a hair dryer on the lowest heat setting to evenly dry the fabric and prevent moisture rings.

ENDURALUX™ LEATHER CARE

- Unplug the chair during cleaning
- Vacuum regularly with an upholstery attachment
- Use a gentle detergent to remove stains (test detergent in an inconspicuous place)
- Do not use solvent based cleaners or harsh chemicals
- Do not saturate the leather during cleaning
- Hot water extraction or steam cleaning is not recommended
- Do not allow liquids to come into contact with electrical components

Enduralux™ Fabric/Leather should not be allowed to come in direct contact with any type of heat source (e.g., a space heater or cigarette). Personal injury or fire damage may occur.

Your provider strongly recommends that you do not smoke cigarettes while seated in or using your lift chair, although the lift chair has passed the necessary testing requirements for cigarette smoking.

ELECTRONICS CARE

- Inspect all wiring harnesses to make sure they are not damaged or frayed.
- If damage is present, unplug the lift chair and contact your authorized provider for service.
- Keep all electronics free from moisture and temperature extremes. WiseLift chairs are intended for indoor use only!

Even though the lift chair has passed the necessary testing requirements for ingress of liquids, you should keep electrical connections away from sources of dampness, including direct exposure to water or bodily fluids and incontinence. Check electrical components frequently for signs of damage or corrosion and replace as necessary.

WARRANTY

WiseLift warrants the original purchaser that its products under normal use, in accordance with operating instructions, will perform to the specifications published by WiseLift at the time of purchase, for the following periods, from the date of purchase by the consumer:

3 Year Limited Warranty

Includes Chair Frame, Lift Frame, and Lift Mechanism. WiseLift offers a 3 year limited warranty on the chair frame to the original purchaser under normal use, in accordance with the operating instructions.

WiseLift warrants that those products, in accordance with instructions for use, will perform to the specifications published by WiseLift at the time of purchase. In the event of a defect reported by the consumer within the applicable time period, if any, WiseLift will, at its option, replace or repair the defective products at no charge to the consumer for parts.

WiseLift is not responsible or obligated to pay for labor, service calls, shipping, and/or any other charges incurred for repair of the product. All transportation costs and shipping damage incurred while submitting parts for repair or replacement are the responsibility of the purchaser.

WARRANTY EXCLUSIONS

In no event shall WiseLift be liable for any costs or damages, including lost profits or revenues, or any consequential or incidental damages incurred by the consumer. Damages or malfunction resulting in unauthorized repairs will not be subject to factory warranty. Other exclusions to the warranty include damages caused by contamination, abuse, misuse, battery fluid spillage or leakage, improper operation or storage.

Some state/provinces do not allow limitations on how long an implied warranty lasts, or the exclusion or limitation of special, incidental or consequential damages, so the limitations and exclusions may not apply to you. This warranty gives you specific legal rights. You may also have other rights which vary based on where you live.

HOW TO GET SERVICE

The consumer must, within the applicable time period, contact WiseLift at 1-877-782-2010. Have your part number, invoice or receipt and description of defect ready. Product should be packaged and shipped carefully. Include company name, contact name, address, phone and email information. You can also contact WiseLift through email Info@WiseLiftChair.com.

NOTES

Contact a WiseLift representative at 1-877-782-2010



Item # WL120

8201 Eastpoint Dr ·
Dallas, TX 75227
www.wiselift.com

Ver. 041819

© 2019 WiseLift